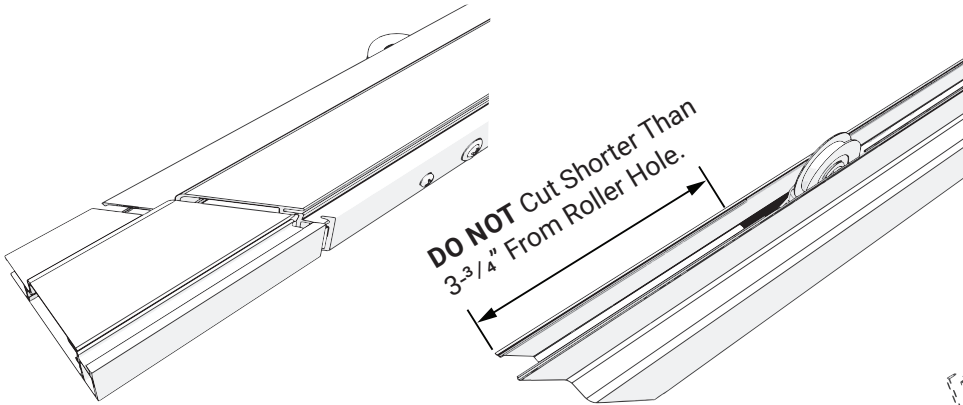


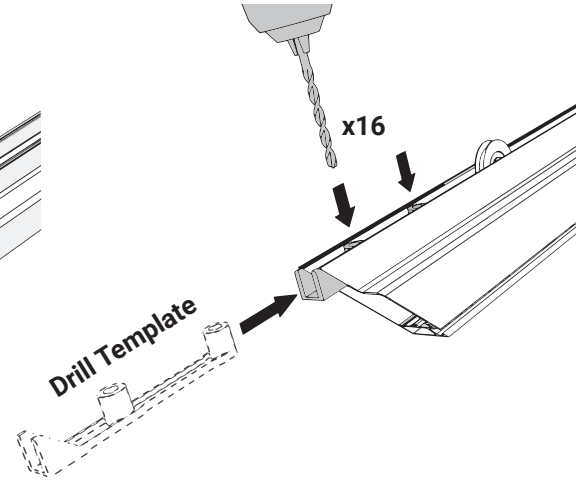
1: If Frame Is Pre-Cut To Size, **Skip To Step 4**

2: Measure And Cut Frame To Size.

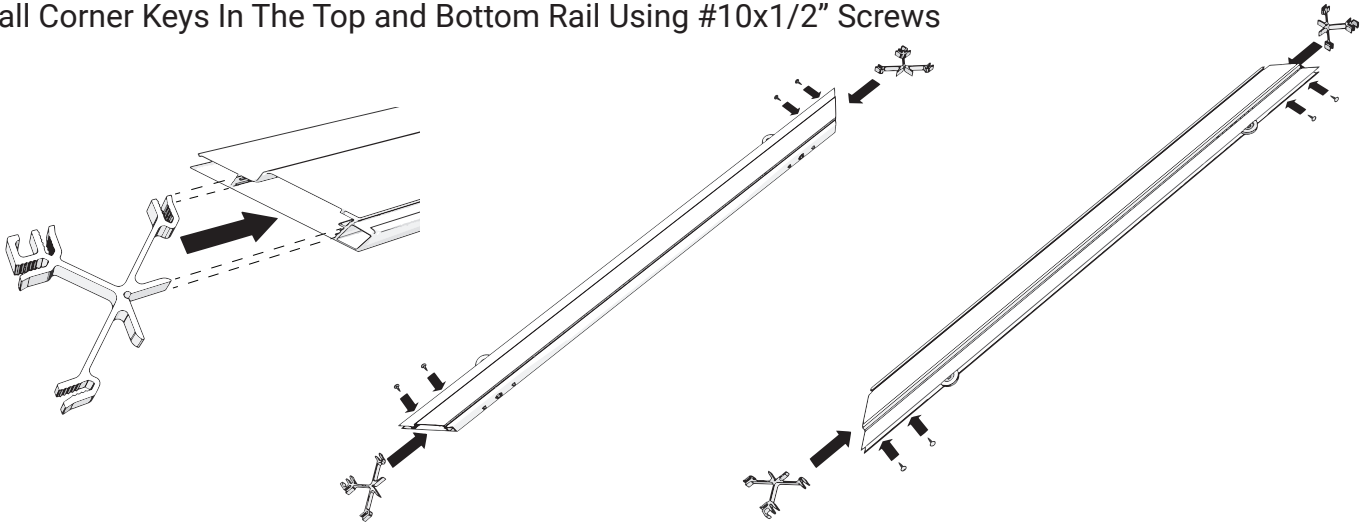
(See Samson How To Measure Instructions)



3: Using Drill Template, Drill Corner Key Holes at Each Mitered End.



4: Install Corner Keys In The Top and Bottom Rail Using #10x1/2" Screws



5: Complete Frame Assembly Using 10x1/2" Screws

